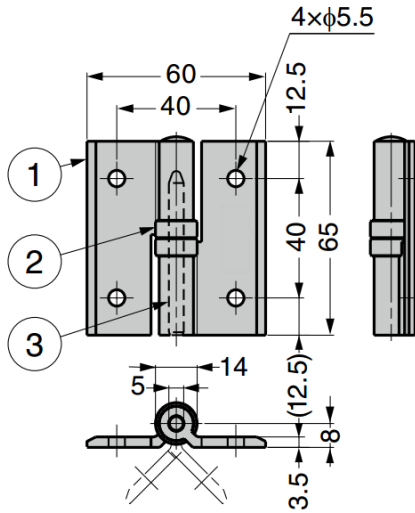
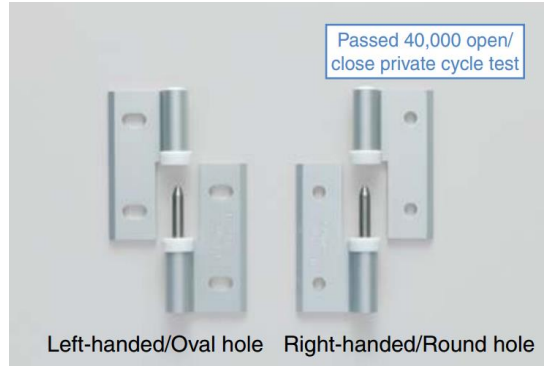


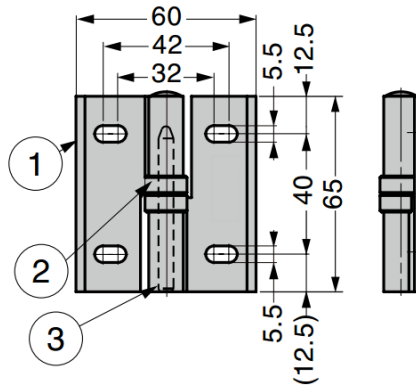
GHG-CV-65N Lift-Off Cleanroom Hinge

Features

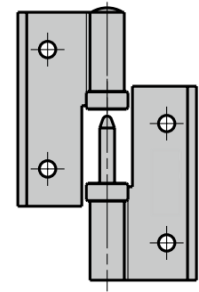
- Plastic caps at rotating part prevent metal-to-metal friction and metal powder scattering
- Lift-off type, easy to attach to and detach from door
- When opening and closing door, plastic caps will not interfere with frame
- Aluminium alloy material, light weight and excellent design
- Available in round and oval hole types
- Suitable for semiconductor manufacturing equipment, clean room, aluminium frame, household equipment, etc.
- Passed 40,000 life cycle test



GHG-CV-65NR
GHG-CV-65NL

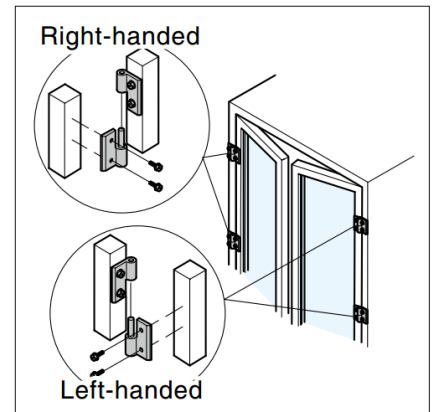


GAS-HG-CV-65NR
GAS-HG-CV-65NL



Left-handed/Round hole type shown. Right-handed type is symmetrical.

No.	Part Name	Material	Finish / Colour
①	Body	Aluminium Alloy	Anodised Silver
②	Cover	POM	White
③	Shaft	Stainless Steel (SUS303)	Plain



Part No.	Handed	Hole Type	Load Capacity (per pair)	
GHG-CV-65NR	Right	Round Hole	108 N	11 kg
GHG-CV-65NL	Left			
GAS-HG-CV-65NR	Right	Oval Hole		
GAS-HG-CV-65NL	Left			

Reference door weight 8kg with 2 pcs in case of door W600 x H800